

# TYPES A & B PANELS

- Gauges indicate Air Loading, Air Supply and/or Delivery Pressures
- Integral Filter Conditions Dirty Shop Air
- 50 PSI Delivery Pressure
- Accurate Delivery Pressure over Wide Range of Flow

## OPTIONS

- HIGH DELIVERY PRESSURE

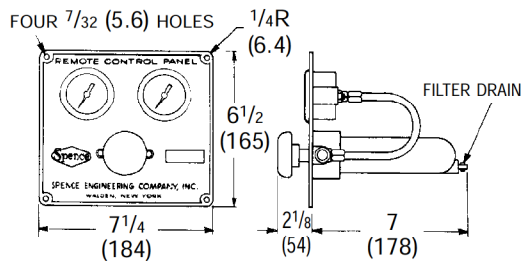
## MODELS

- **MODEL A AIR ADJUSTMENT PANEL** includes an air adjusting valve incorporating its own bleed and two gauges; one for the supply air, the other to indicate the adjusting air. It comes complete and ready to be mounted directly on a control board or box.
- **MODEL B AIR ADJUSTMENT PANEL** is the same as the Model A with the exception that it has, in addition, a gage indicating the delivery pressure.

## TYPICAL CONFIGURATIONS

For use with:

- EA
- Positioners
- Any Controller Requiring Conditioned Pneumatic Signal
- E8
- EPC



**TYPE A PANEL** cutout 5 1/4 (133) high by 6 (152) wide



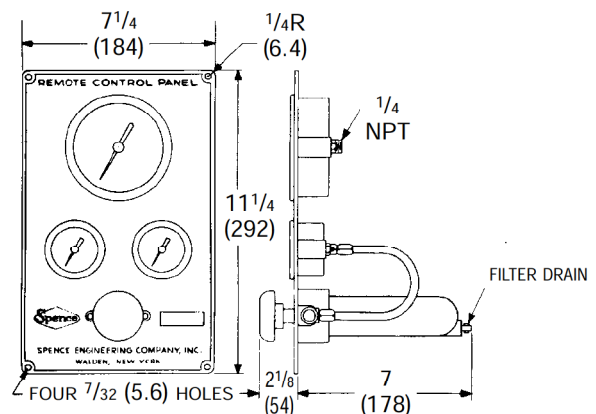
**TYPE B PANEL**

## APPLICATION DATA

- To display Air Loading, Air Supply and/or Delivery Pressure
- To Remotely Adjust Air Pilots
- To Reduce Plant Air Pressure to Instrument Air Pressure for Signaling Regulators and Control Valves
- To Filter Plant Air to Instrument Air Quality

## SPECIFICATION

Air Adjustment Panel shall provide remote control for air actuated regulators and control valves. It shall convert plant air to instrument quality air and provide 0 to 50 psi delivery pressure. The Panel shall have a flow capacity of 22 scfm. Panel shall have gauges indicating air load pressure and air supply pressure with option of process delivery pressure gauge.



**TYPE B PANEL** cutout 10 1/4 (286) high by 6 (152) wide