



**PMV P4 PNEUMATIC POSITIONER**

**APPLICATION DATA**

- Control of Intimidator, Boss and Doctor Control Valves
- Split Range for Parallel Stations
- Fine Tune Control
- Where Required Air Pressure is Greater than Controller Output
- Where Change of Actuator Action is Desired (Reverse to Direct & vice versa)

**RATINGS**

Temperature Range .....	-4 to 185°F (-20 to 85°C)
Supply Pressure .....	60 psig
Air Consumption .....	0.31 scfm (P4) 0.71 scfm (P5) 0.78 scfm (EP5)
Input Signal .....	3-15 psig, Split Range 4-20 mA
Linearity .....	±0.7% (P4) ≤0.5% (P5 & EP5)
Hysteresis .....	0.8% (P4) ≤0.75% (P5) ≤0.5% (EP5)
Body Construction .....	Aluminum

**APPLICABLE CODES**

CENELEC, FM & CSA approved

# PMV POSITIONER

- Pneumatic or Electro-Pneumatic
- Compact, Rugged Design
- Easy to Calibrate
- Bright, Visible Indicator
- Low Air Consumption
- Mounts Compactly on Valve
- Stainless Steel Cam
- External Zero Adjustment
- Modular Design

**OPTIONS**

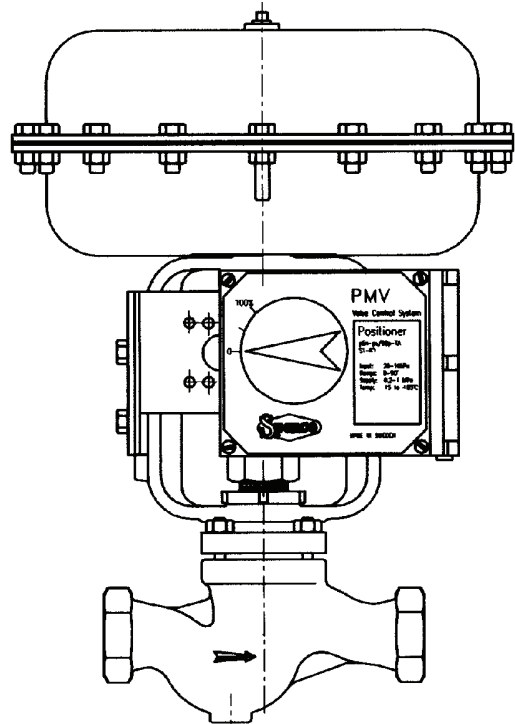
- Mechanical Limit Switch
- Proximity Limit Switch
- 4-20 mA Position Transmitter Feedback
- Potentiometer 1K Feedback
- Gauges

**MODELS**

- P4 Pneumatic Positioner
- P5 Pneumatic Positioner w/Gauges
- EP5 Electro-pneumatic Positioner w/Gauges

**SPECIFICATION**

The Positioner shall be modular and cam characterized with FM, CSA and CENELEC certifications and shall be mounted directly onto the valve. Feedback, I/P Transducer and/or Limit Switch options shall be available.



**PMV P4 POSITIONER ON INTIMIDATOR TYPE J CONTROL VALVE**