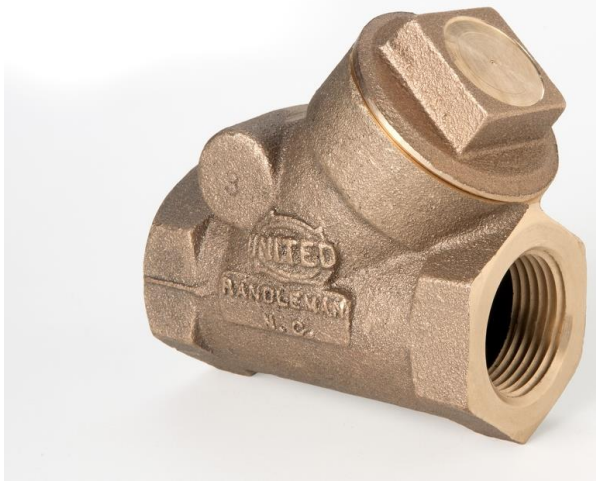




UNITED BRASS WORKS, INC.



Model 62T Swing Check Valve

Complies with MSS-SP-80-2013

CRN OCO7135.2C

200WSP @ 406° Max

400 WOG

100% Pressure Tested

Threaded Ends

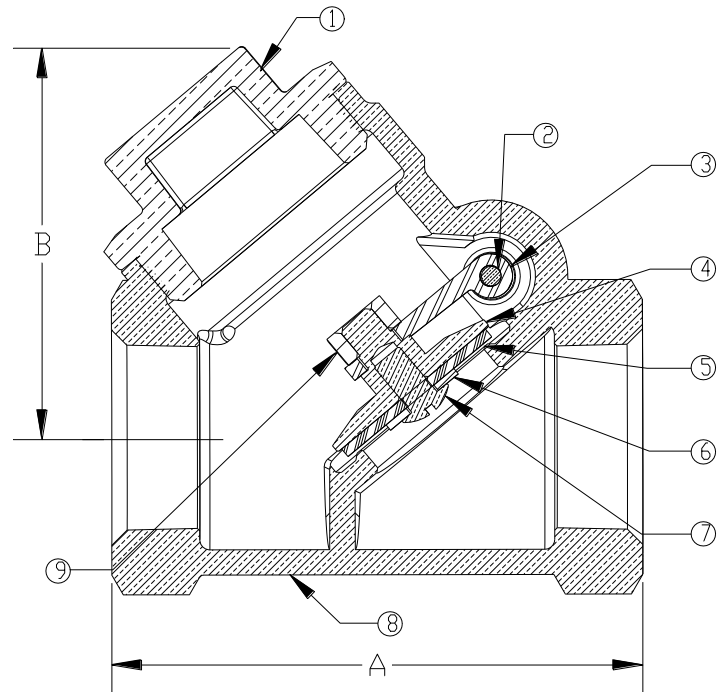
PTFE Disc

Contains Lead. Not Intended for Use in Potable Water Systems

*Install in horizontal position with cap in upright position.
Not recommended for pulsating or vibrating service.*

MATERIAL LIST

NO.	DESCRIPTION	MATERIAL
1	Cap (1/4" - 3/4") Cap (1" - 3")	Brass Bronze
2	Hinge Pin	Brass
3	Hinge	Stainless steel
4	Disc	Bronze
5	Disc	PTFE
6	Washer	Brass
7	Screw	Brass
8	Body	Bronze
9	Disc Nut	Brass



Size	1/4"	3/8"	1/2"	3/4"	1"	1 1/4"	1 1/2"	2"
A	3.38	2.53	2.75	3.09	3.53	5.13	5.13	5.56
B	1.51	1.53	1.53	1.88	2.09	3.63	3.63	4.56
Ship Wgt. (lbs.)	0.75	0.81	0.76	1.19	1.73	5.75	5.75	10.00
Qty. Per Ctn.	12	12	12	12	6	2	2	1