

## ALL STAINLESS STEEL GAUGE



Model BR301L

### SPECIFICATIONS:

- 304 Stainless Steel Case with bayonet bezel design
- 316 Stainless Steel Internals
- Stainless Steel Bourdon Tube & Connection
- IP65 Enclosure
- Glycerine fill standard, Dry available
- Accuracy: 2½" Dial - 1.6%; (ASME B40.1, Grade A)  
4" and 6" Dials - 1%; (ASME B40.1, Grade 1A)
- Dual Scale: PSI & BAR (x100=kPa)
- Ambient Temperature: Filled: +30 °F to +160 °F; Dry: -30 °F to +180 °F
- Safety Glass Lens
- Welded Socket
- Overpressure Limit: 30% FSO
- Working Pressure: 75% FSO

### FIELD OPTIONS:

- 2½", 4", and 6" dial sizes
- ¼"(M) NPT on 2½" and 4"
- ½"(M) NPT on 4" and 6"
- Front Flange (FF) or Back Flange (BF) Mount
- U-Clamp Mount (UC)
- Brass internals available (*Model 380*)

## MODEL BR300

### FEATURES:

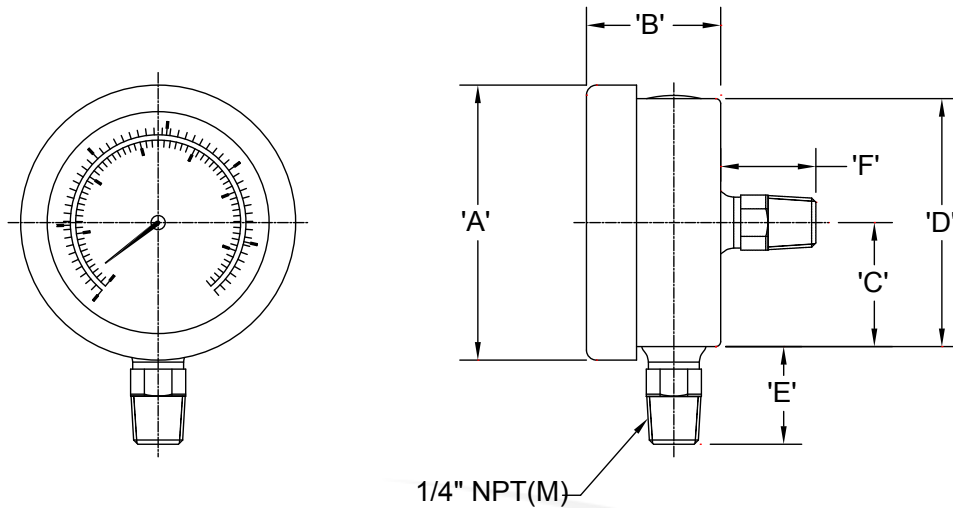
The Model BR300 series from Blue Ribbon Corporation is a high-quality dry or liquid-filled, all stainless steel back or bottom mount gauge for applications where brass may not be an option.

RANGE	RANGE CODES	MAJOR	MINOR
<b>30/0" VAC</b>	A	5	0.5
<b>30/0/15</b>	CB	5	0.5
<b>30/0/30</b>	CC	10	1
<b>30/0/60</b>	CD	10	1
<b>30/0/100</b>	CE	20	2
<b>30/0/150</b>	CF	20	2
<b>30/0/300</b>	CH	50	10
<b>0/15</b>	B	2	0.2
<b>0/30</b>	C	5	0.5
<b>0/60</b>	D	10	1
<b>0/100</b>	E	20	2
<b>0/160</b>	F	20	2
<b>0/200</b>	G	40	2
<b>0/300</b>	H	50	5
<b>0/400</b>	I	50	5
<b>0/500</b>	J	100	10
<b>0/600</b>	K	100	10
<b>0/800</b>	L	100	10
<b>0/1000</b>	M	200	20
<b>0/1500</b>	N	200	20
<b>0/2000</b>	O	400	50
<b>0/3000</b>	P	500	50
<b>0/4000</b>	Q	500	50
<b>0/5000</b>	R	1000	100
<b>0/6000</b>	S	2000	200
<b>0/10,000</b>	U	2000	200
<b>0/15,000</b>	V	2000	200

# ALL STAINLESS STEEL GAUGES

## DIMENSIONAL DRAWING

All dimensions are in inches (mm)



DIAL SIZE	'A'	'B'	'C'	'D'	'E'	'F'
Ø2.50 (1/4)	2.745	1.96	1.238	2.475	0.975	0.975
Ø2.50 (1/2)	2.745	1.96	1.238	2.475	1.37	1.37
Ø4.00 (1/2)	4.35	1.96	1.963	3.925	1.37	1.37
Ø6.00 (1/2)	6.35	1.96	2.925	5.85	1.37	1.37

## ORDERING GUIDE

Example: BR301L254F

BR301	L	25	4	F
<b>Model Number</b>		<b>Dial Size</b>	<b>Connector Size</b>	<b>Pressure Range</b>
<b>301 - bottom connect</b>		2.5" - 25	4 - 1/4" NPT	See chart on page 1
<b>302* - back connect</b>		4" - 40	2 - 1/2" NPT	
<b>Fill Type</b>		6" - 60		
D - dry, non-filled				
L - Liquid, glycerine filled				

\*Available in Front Flange (FF), Back Flange (BF), and U-Clamp (UC) Mount

All specifications are for reference purposes only. In the interests of continuous product improvement, all specifications are subject to change without notice. Please contact Blue Ribbon Corporation for assistance with your application.

